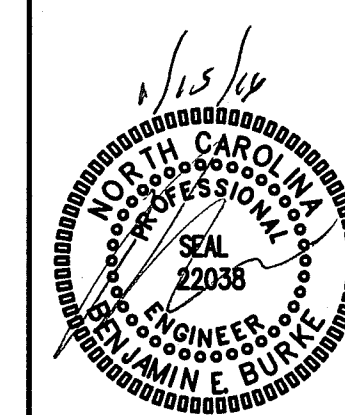


1 2ND LEVEL DWV PLAN
P-2.2 SCALE: 1/4" = 1'-0"



2ND LEVEL
DWV PLAN

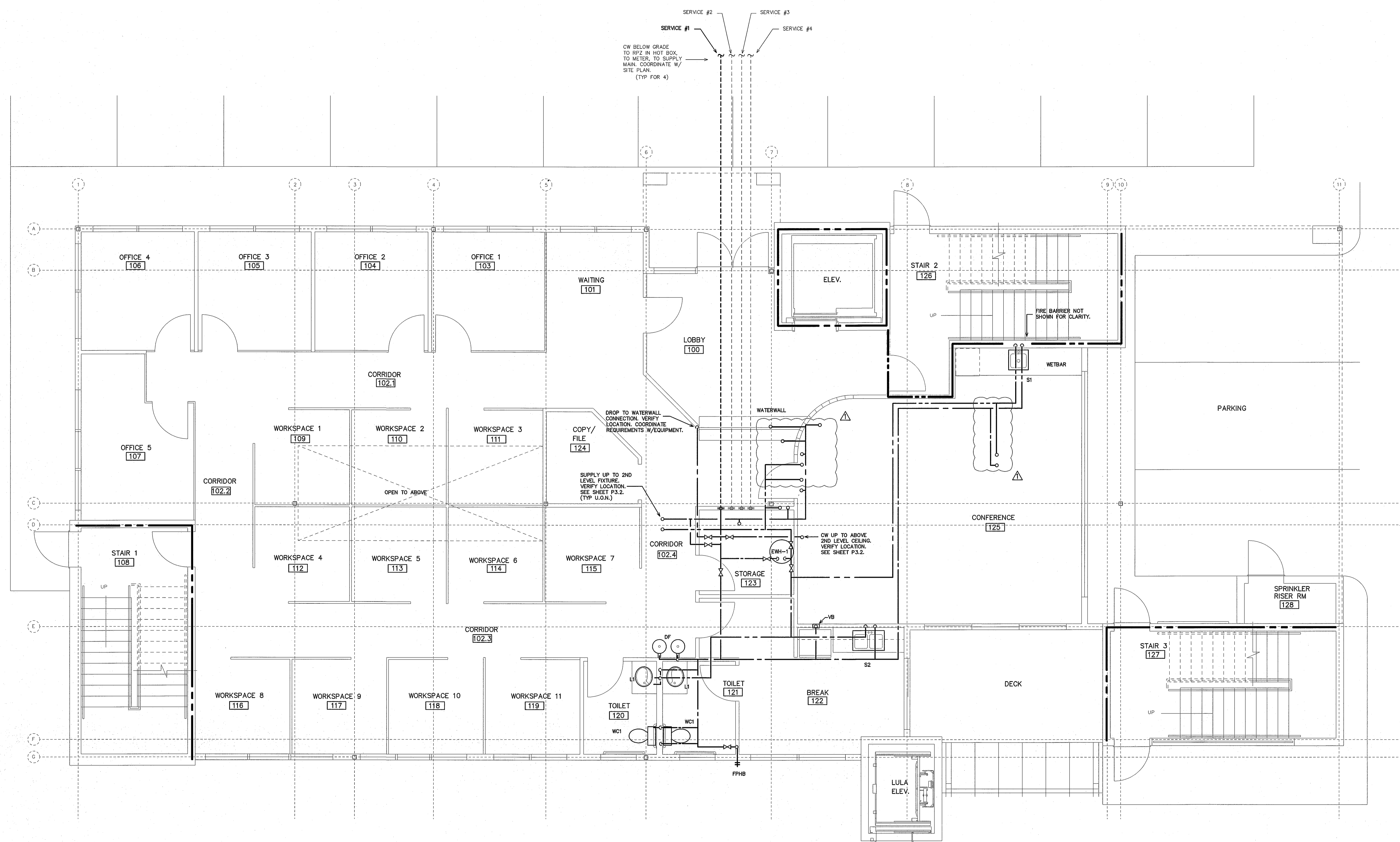
14028

ISSUED: 04-09-15
DWG BY: DS
CKD BY: BEB

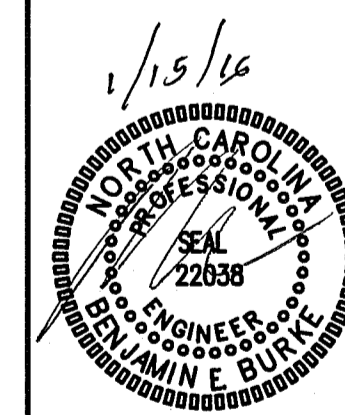
REVISIONS
1/11/16 OWNER REVISION

ENGINEER
BURKE DESIGN GROUP
3305-109 DURHAM DRIVE
RALEIGH, NC 27603
PHONE: (919) 771-1916
FAX: (919) 779-0528
email: benburke@ncrr.com
Corp. License # C-2652

SHEET NO.
P-2.2
4 OF 16



1 1ST LEVEL WATER SUPPLY PLAN- SERVICE #1
P-3.1b SCALE: 1/4" = 1'-0"



1ST LEVEL
WATER SUPPLY
PLAN- SERVICE #1

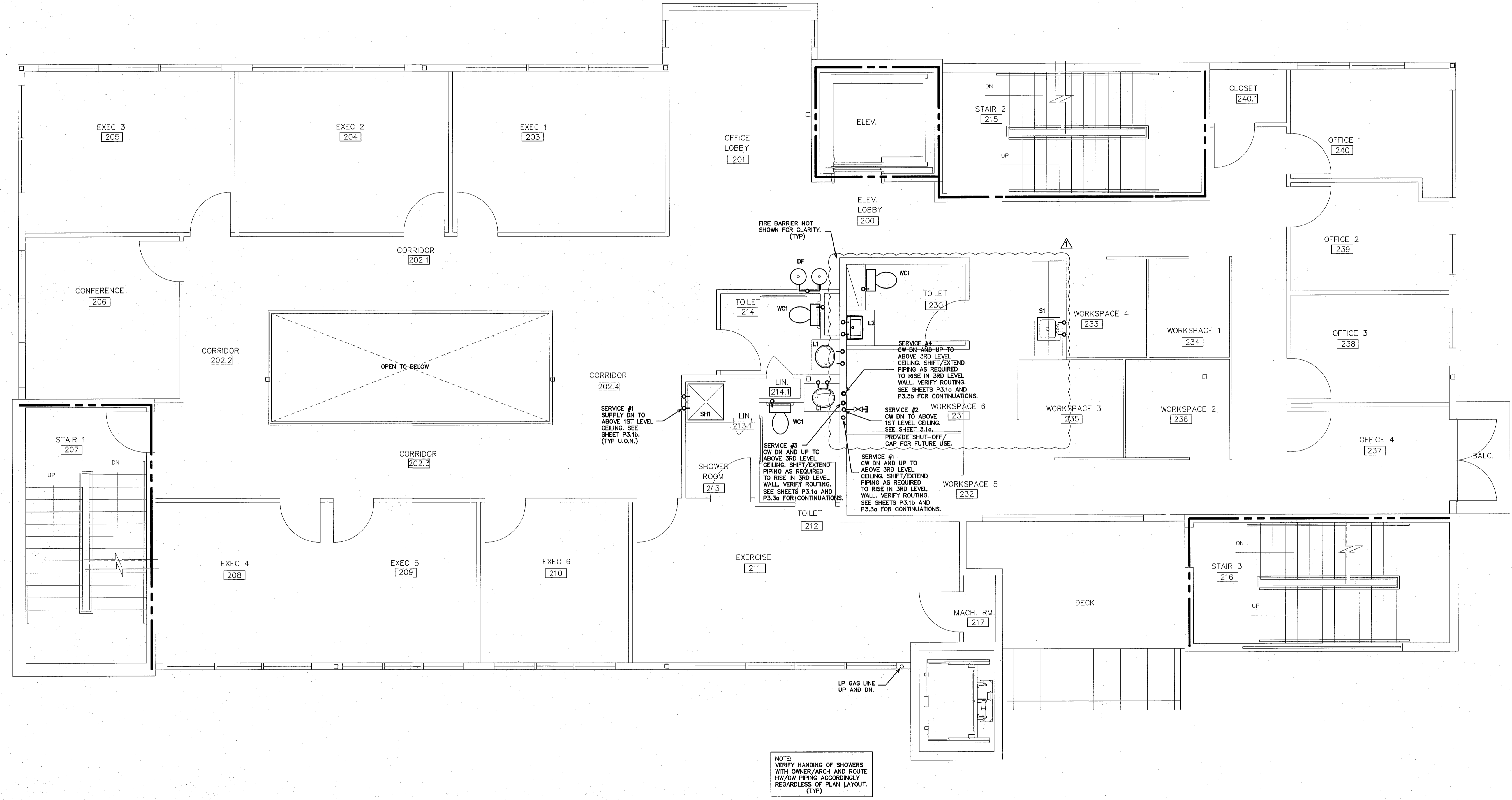
14028
ISSUED: 04-09-15
DWG BY: DS
CKD BY: BEB

REVISIONS

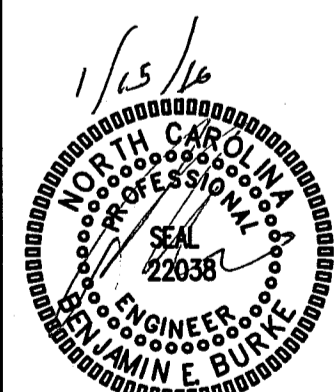
1/11/16	OWNER REVISION
---------	----------------

ENGINEER
BURKE DESIGN GROUP
3305-109 DURHAM DRIVE
RALEIGH, NC 27603
PHONE: (919) 771-1916
FAX: (919) 779-0826
email: benburke@nc.rr.com
Corp. License # C-2652

SHEET NO.
P-3.1b
9 OF 16



1 2ND LEVEL WATER SUPPLY/LP GAS PLAN
P-3.2 SCALE: 1/4"=1'-0"



2ND LEVEL
WATER SUPPLY/
LP GAS PLAN

14028

ISSUED: 04-09-15

DWG BY: DS

CKD BY: BEB

REVISIONS

1/11/16 OWNER REVISION

SHEET NO.

P-3.2

10 OF 16

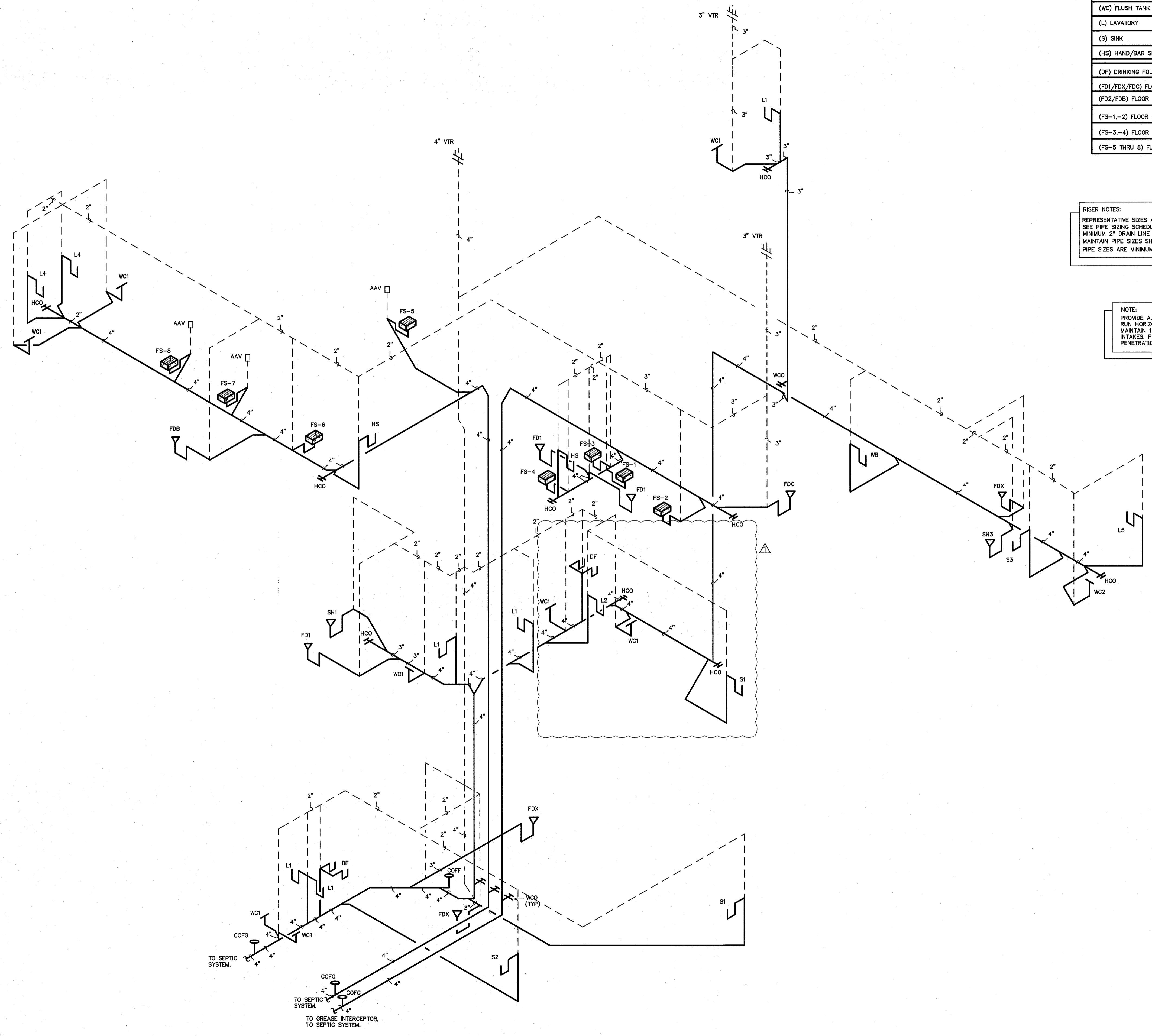
ENGINEER
BURKE DESIGN GROUP
3305-109 DURHAM DRIVE
RALEIGH, NC 27603
PHONE: (919) 771-1916
FAX: (919) 773-0828
email: benburke@nc.rr.com
Corp. License # C-2652

(VERIFY ALL EQUIPMENT REQUIREMENTS PRIOR TO ROUGH-IN)

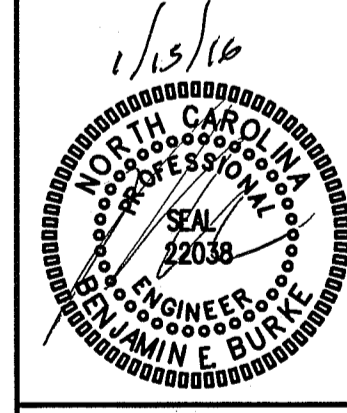
PIPE SIZING SCHEDULE		
FIXTURE TYPE	DRAIN	VENT
(WC) FLUSH TANK WATER CLOSET	3"	1 1/2"
(L) LAVATORY	1 1/2"	1 1/4"
(S) SINK	1 1/2"	1 1/4"
(HS) HAND/BAR SINK	1 1/2"	1 1/4"
(DF) DRINKING FOUNTAIN	1 1/4"	1 1/4"
(FD1/FDX/FDC) FLOOR DRAIN	3"	1 1/2"
(FD2/FDB) FLOOR DRAIN	2"	1 1/2"
(FS-1,-2) FLOOR SINK #1, #2	4"	2"
(FS-3,-4) FLOOR SINK #3, #4	3"	1 1/2"
(FS-5 THRU 8) FLOOR SINK #5-8	2"	1 1/4"

RISER NOTES:
REPRESENTATIVE SIZES ARE GIVEN FOR EACH TYPE OF FIXTURE. SEE PIPE SIZING SCHEDULE. MINIMUM 2" DRAIN LINE SIZE UNDER SLAB. MAINTAIN PIPE SIZES SHOWN UNTIL LARGER SIZE IS REACHED. PIPE SIZES ARE MINIMUMS FOR INDIVIDUAL FIXTURES U.O.N.

NOTE:
PROVIDE ALL VENTS THRU ROOF (VTR). RUN HORIZONTALLY AS REQUIRED TO MAINTAIN 10'-0" CLEARANCE FROM ANY INTAKES. PROPERLY FLASH ANY ROOF PENETRATIONS.



1 DWV RISER
P-4 SCALE: N.T.S.



DWV RISER

14028

ISSUED: 04-09-15

DWG BY: DS

CKD BY: BEB

REVISIONS

1/11/16 OWNER REVISION

ENGINEER
BURKE DESIGN GROUP
3305-109 DURHAM DRIVE
RALEIGH, NC 27603
PHONE: (919) 771-1916
FAX: (919) 779-0826
email: benburke@nc.rr.com
Corp. License # C-2652

SHEET NO.
P-4
14 OF 16

(VERIFY ALL EQUIPMENT REQUIREMENTS PRIOR TO ROUGH-IN)

ITEM	QUAN	DESCRIPTION	UTILITY CONNECTIONS			
			WASTE	HW	CW	GAS (BTUH)
1	1	REFRIGERATED BACKBAR CABINET	-	-	-	-
2	1	REFRIGERATED BACKBAR CABINET	-	-	-	-
3	1	DRAFT BEER COOLER	1/2"	-	-	-
4	-	NOT USED	-	-	-	-
5	2	WALK-IN COOLER	-	-	-	-
6	-	NOT USED	-	-	-	-
7	1	UNDERBAR HAND SINK	1-1/2"	1/2"	1/2"	-
8	1	UNDERBAR 4 COMP SINK	1-1/2"	1/2"	1/2"	-
9	2	UNDERBAR ICE BIN	1-1/2"	-	-	-
10	1	POS	-	-	-	-
11	1	WORK TABLE	-	-	-	-
12	1	RACK	-	-	-	-
13	1	SERVER BAR	-	-	-	-
14	1	BAG IN BOX	-	-	-	-
15	1	CO2 CANISTER	-	-	-	-
16	1	WALK-IN COOLER	-	-	-	-
17	1	SODA DISPENSER	3/4"	-	3/8"	-
18	1	WORK TABLE	-	-	-	-
19	2	TEA BREWER	-	-	1/4"	-
20	2	COFFEE BREWER	-	-	1/4"	-
21	1	ICE CUBER W/BIN & FILTER	3/4"	-	1/2"	-
22	-	NOT USED	-	-	-	-
23	LOT	SHELVING	-	-	-	-
24	1	EXHAUST HOOD	-	-	-	-
25	2	REFRIGERATED WORKTOP	-	-	-	-
26	4	RACK	-	-	-	-
27	1	WORK TABLE W/SINK	1-1/2"	1/2"	1/2"	-
28	9	HEAT LAMP	-	-	-	-
29	1	CONVECTION OVEN	-	-	-	60,000
30	1	CHARBROILER	-	-	-	66,000
31	LOT	SHELVING	-	-	-	-
32	1	HOTPLATE	-	-	-	220,000
33	1	REFRIGERATED EQUIP STAND	-	-	-	-
34	2	REACH-IN REFRIGERATOR	-	-	-	-
35	1	CONVECTION OVEN	-	-	-	88,000
36	1	6-BURNER RANGE	-	-	-	248,000
37	1	EXHAUST HOOD	-	-	-	-
38	6	HEAT LAMP	-	-	-	-
39	2	WORK TABLE	-	-	-	-
40	3	PREP SINK	1-1/2"	1/2"	1/2"	-
41	1	WORK TABLE	-	-	-	-
42	2	HAND SINK	1-1/2"	1/2"	1/2"	-
43	LOT	SHELVING	-	-	-	-
44	1	REACH-IN REFRIGERATOR	-	-	-	-
45	1	REACH-IN FREEZER	-	-	-	-
46	1	DISH MACHINE	2"	3/4"	-	-
46.1	1	CONDENSATE HOOD	-	-	-	-
47	-	NOT USED	-	-	-	-
48	1	SHELVING	-	-	-	-
49	1	DISHTABLE	-	-	-	-
50	1	SHELVING	-	-	-	-
51	1	DISHTABLE W/PRE RINSE SINK	1-1/2"	1/2"	1/2"	-
52	-	NOT USED	-	-	-	-
53	1	3-COMPARTMENT SINK	1-1/2"	1/2"	1/2"	-
54	1	SHELVING	-	-	-	-
55	-	NOT USED	-	-	-	-
56	2	DOLLY	-	-	-	-
57	1	CART	-	-	-	-
58	1	CAN WASH	3"	1/2"	1/2"	-
59	1	WATER HEATER	3/4"	1-1/4"	1-1/4"	-
60	1	REACH-IN REFRIGERATOR	-	-	-	-
61	1	REACH-IN FREEZER	-	-	-	-

* PROVIDE BACKFLOW PREVENTER PER NCSBC-PLUMBING SECT. 608.3, AND ASSE 1024 (WATTS SERIES 7 OR EQUAL) OR ASSE 1022 (WATTS SERIES SD-3 OR EQUAL) WHERE REQUIRED.

(VERIFY ALL EQUIPMENT REQUIREMENTS PRIOR TO ROUGH-IN)

PIPE SIZING SCHEDULE		
FIXTURE TYPE	CW	HW
(WC) FLUSH TANK WATER CLOSET	1/2"	-
(L) LAVATORY	1/2"	1/2"
(DF) DRINKING FOUNTAIN	1/2"	-
(FPHB) FREEZE PROOF HOSE BIBB	1/2"	-
(WW) WATERWALL	1/2"	-

* PROVIDE BACKFLOW PREVENTER PER NCSBC-PLUMBING SECT. 608.3, AND ASSE 1024 (WATTS SERIES 7 OR EQUAL) OR ASSE 1022 (WATTS SERIES SD-3 OR EQUAL) WHERE REQUIRED.

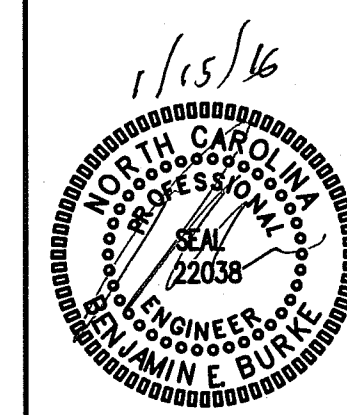
RISER NOTES:
 REPRESENTATIVE SIZES ARE GIVEN FOR EACH TYPE OF FIXTURE. SEE EQUIPMENT OR PIPE SIZING SCHEDULE.
 MAINTAIN PIPE SIZES SHOWN UNTIL LARGER SIZE IS REACHED. PIPE SIZES ARE MINIMUMS FOR INDIVIDUAL FIXTURES U.O.N.

NOTE:
 SEE PLAN FOR SHUT-OFF VALVE LOCATIONS. COORDINATE LOCATION AND NUMBER WITH LOCAL INSPECTIONS DEPARTMENT. PROVIDE ACCESS DOORS IF REQUIRED.

ENGINEER
BURKE DESIGN GROUP
 3305-109 DURHAM DRIVE
 RALEIGH, NC 27603
 PHONE: (919) 771-1916
 FAX: (919) 779-0826
 email: benburke@nc.rr.com
 Corp. License # C-2652

Coastal Architecture
 Architectural Design
 Lee D. Dixon, Jr., AIA
 4206 Bridges St. Ext., Suite C
 Morehead City, NC 28557

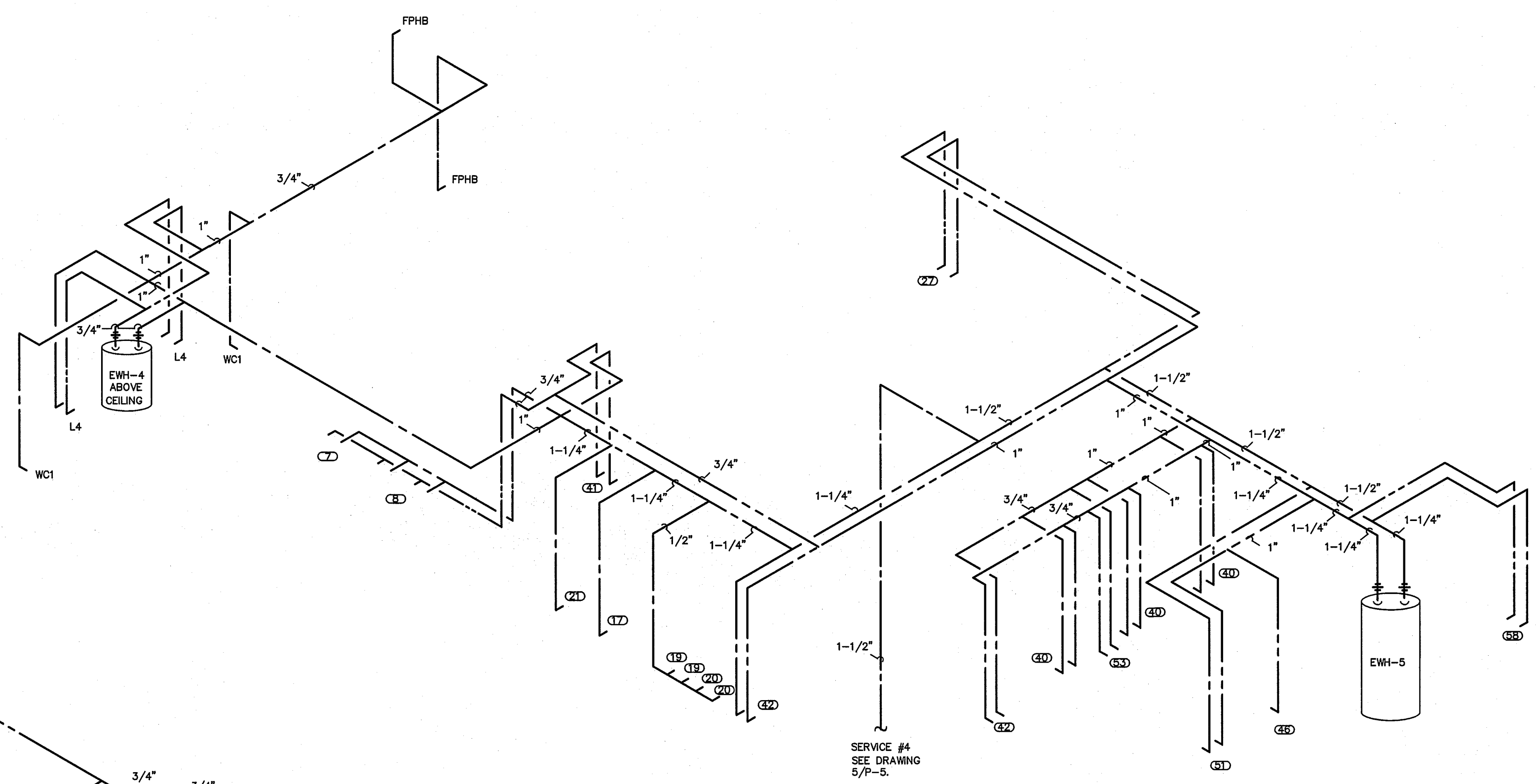
TRANSPORTATION IMPACT
 EMERALD ISLE, NORTH CAROLINA



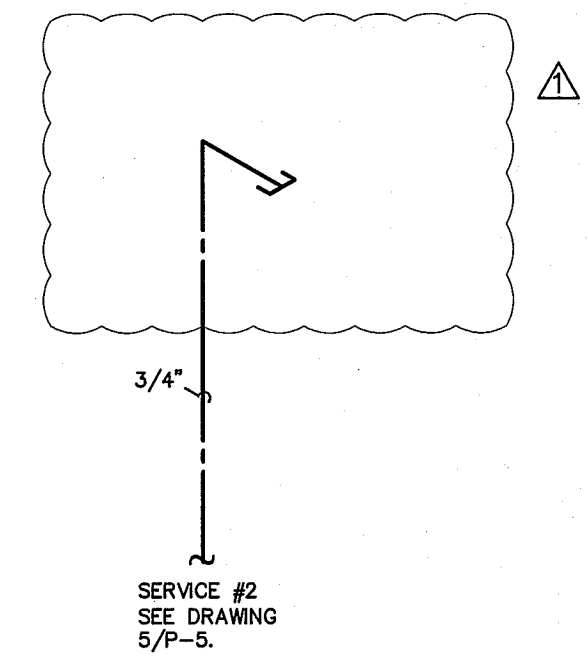
WATER SUPPLY RISER

14028
 ISSUED: 04-09-15
 DWG BY: DS
 CKD BY: BEB
 REVISIONS
 1/11/16 OWNER REVISION

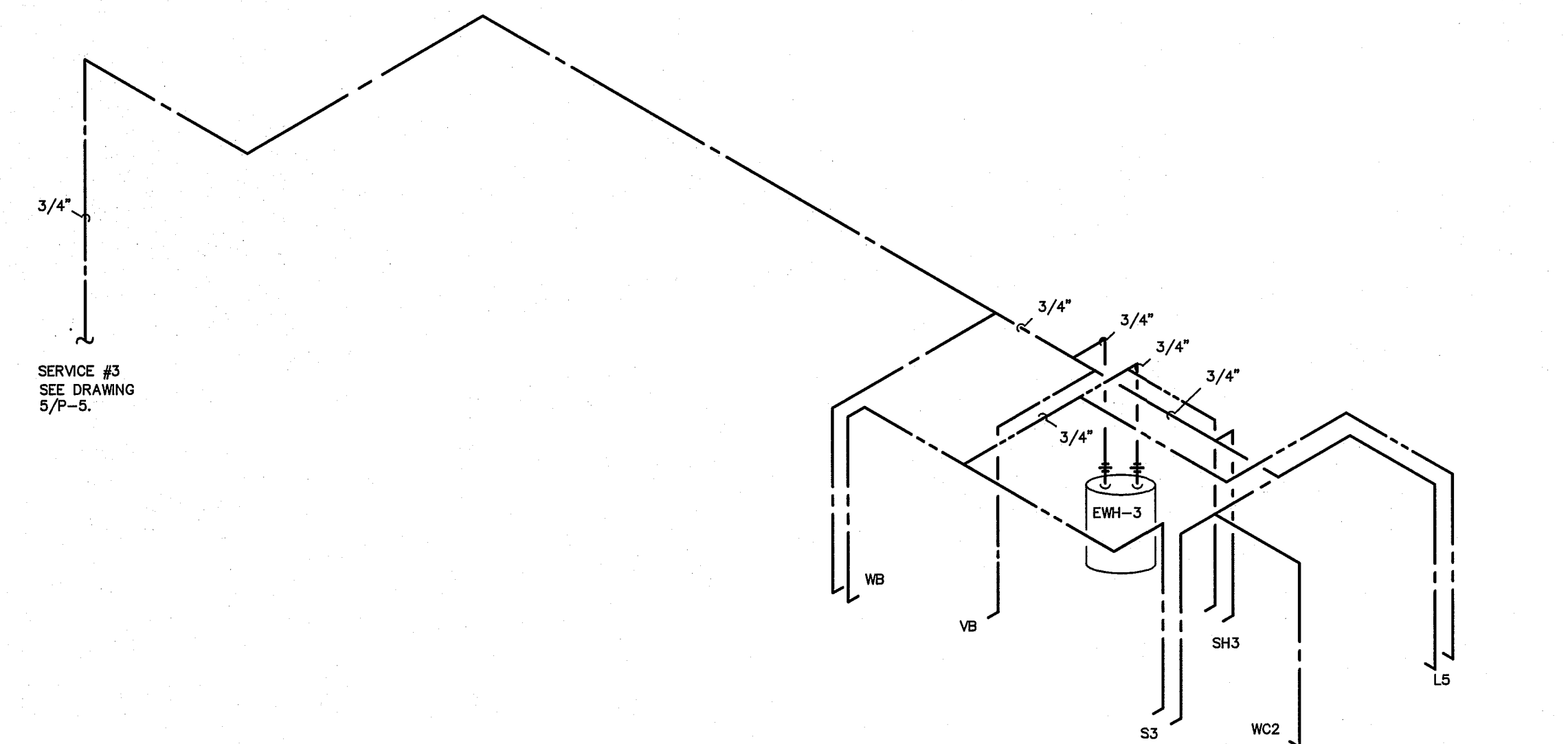
SHEET NO.
P-5
 15 OF 16



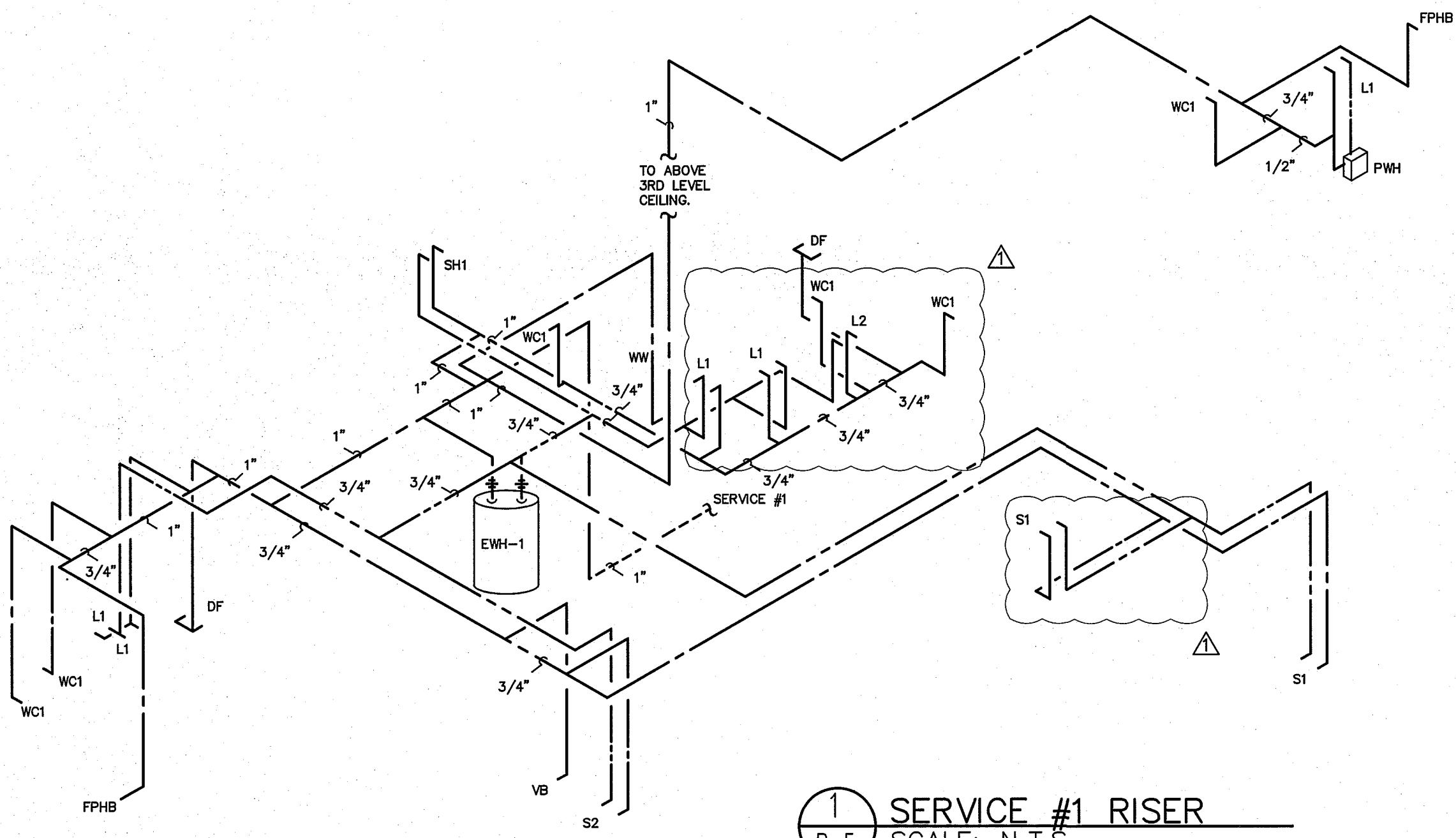
4 SERVICE #4 RISER
 SCALE: N.T.S.



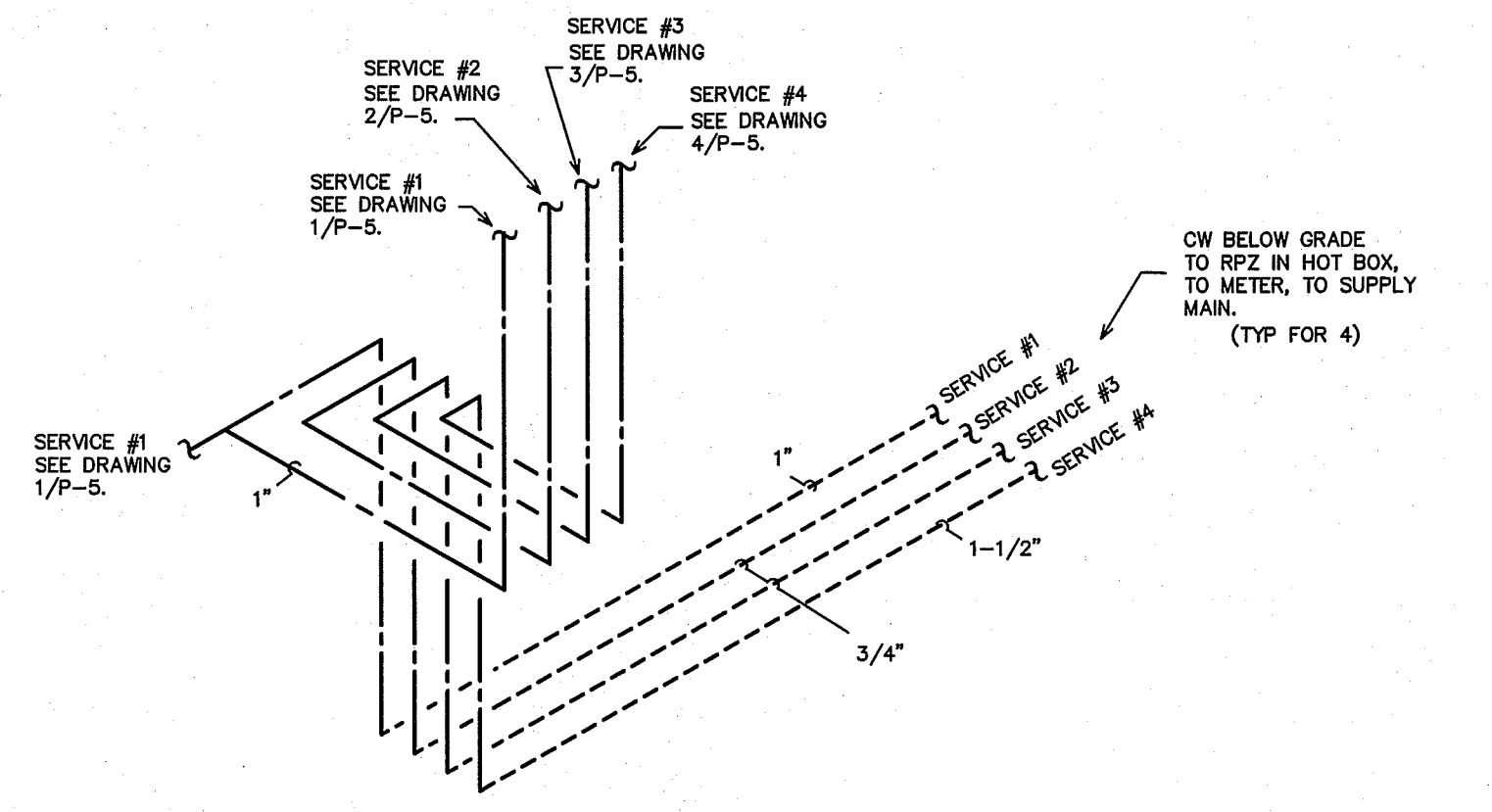
2 SERVICE #2 RISER
 SCALE: N.T.S.



3 SERVICE #3 RISER
 SCALE: N.T.S.



1 SERVICE #1 RISER
 SCALE: N.T.S.



5 SERVICE #1-4 RISER
 SCALE: N.T.S.