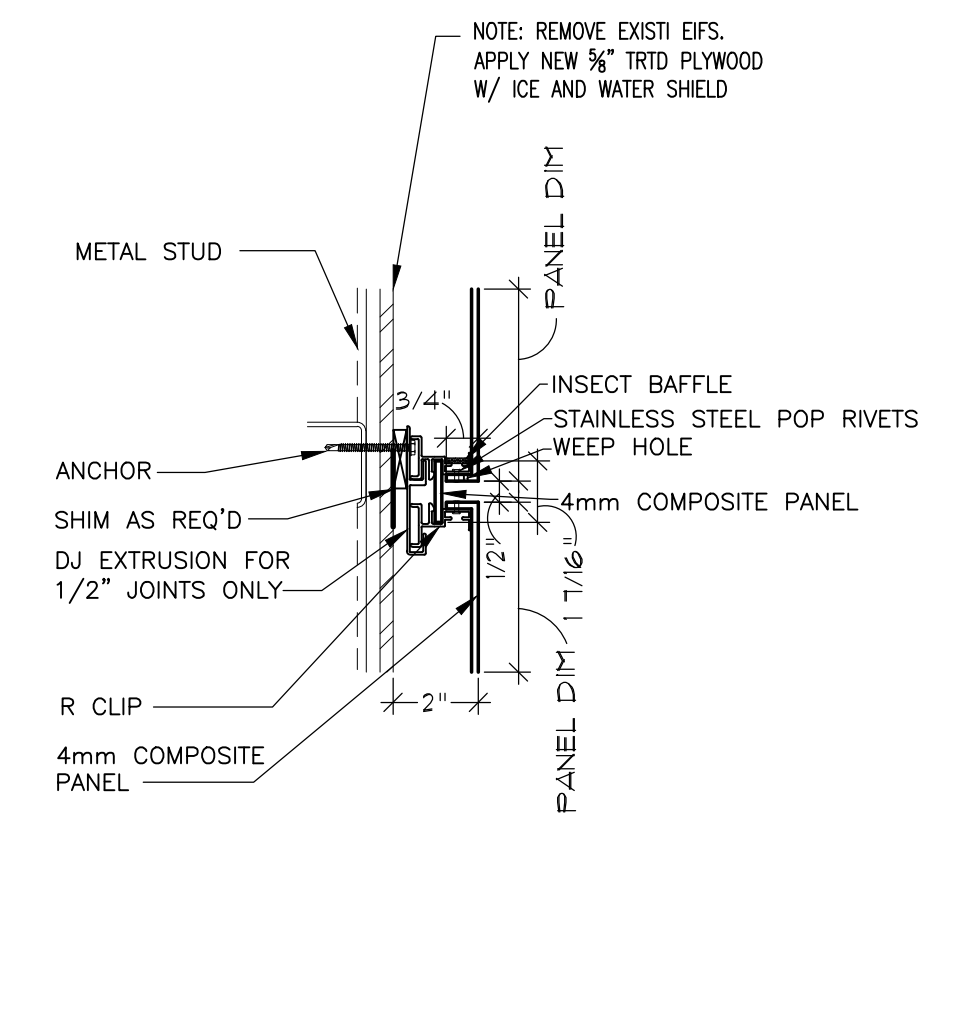
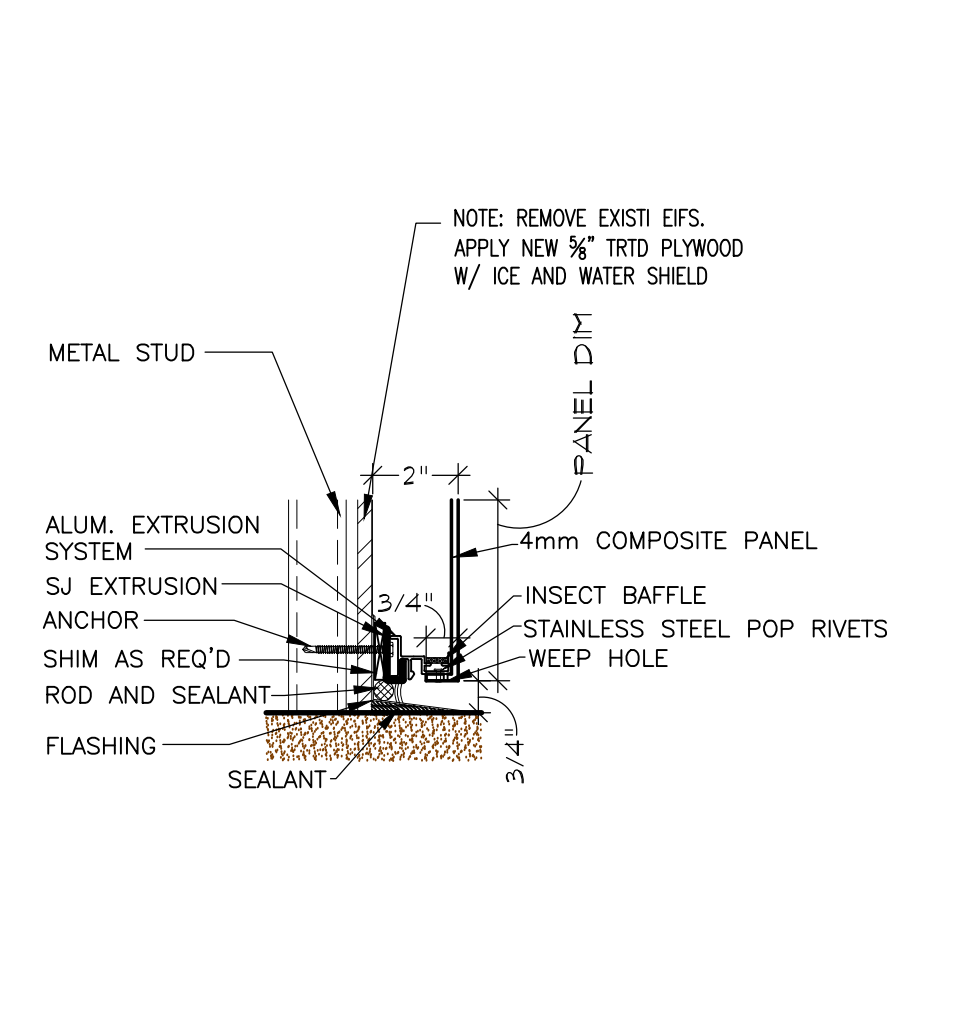


1 ACM DETAIL
A-B SCALE: 3" = 1'-0"



2 ACM DETAIL
A-B SCALE: 3" = 1'-0"

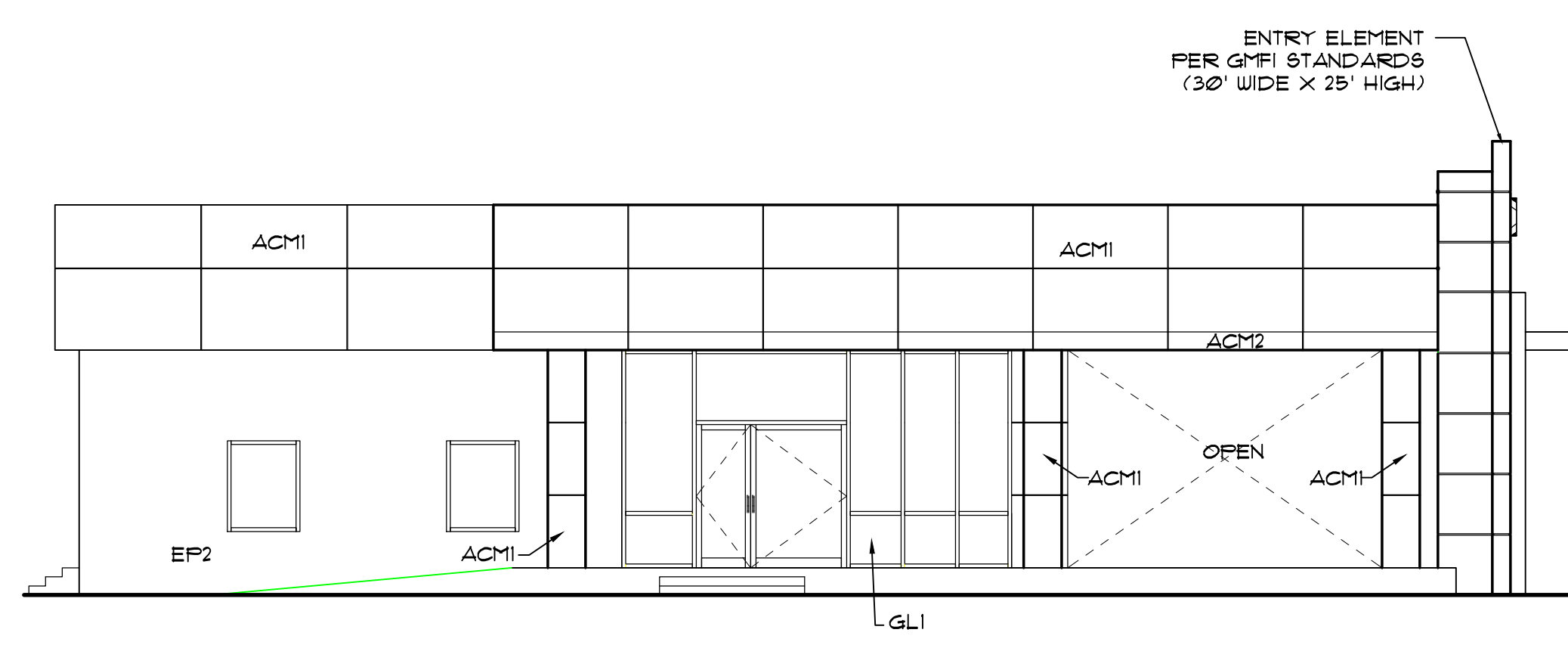


3 ACM DETAIL
A-B SCALE: 3" = 1'-0"

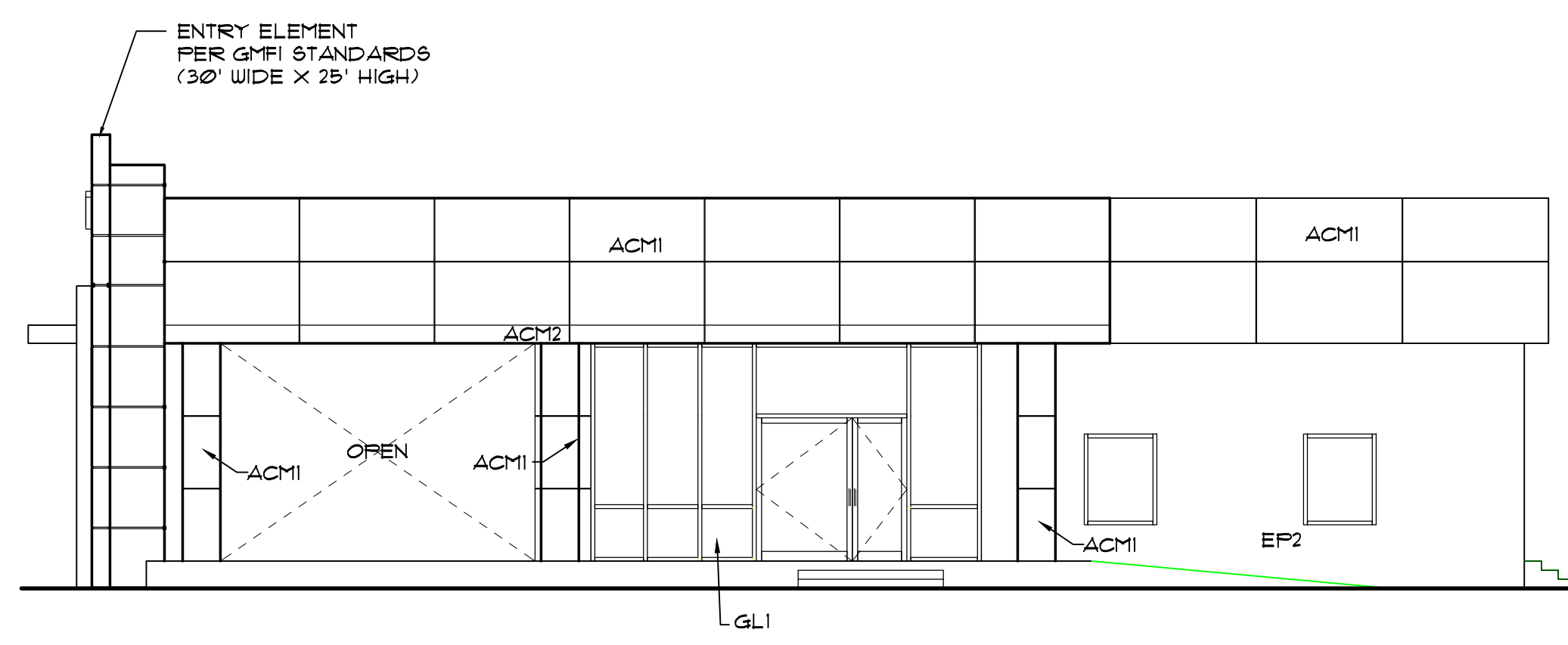
CHEVROLET ENTRY ELEMENT MUST BE FABRICATED BY GM APPROVED VENDOR (SEE SPECS)
SUBMIT SHOP DRAWINGS FOR APPROVAL PRIOR TO FABRICATION. SHOP DRAWING TO INCLUDE ALL DETAILS AND FOUNDATION DESIGN SEALED BY A NC LICENSED PROFESSIONAL ENGINEER.

CONTRACTOR TO ALSO PROVIDE SHOP DRAWINGS FOR ALL ACM WORK. SUBMIT FOR APPROVAL PRIOR TO BEGINNING WORK. SHOP DRAWING MUST INCLUDE FIELD MEASUREMENT, FIELD INVESTIGATIONS AND ALL DETAILS NECESSARY FOR INSTALLATION.

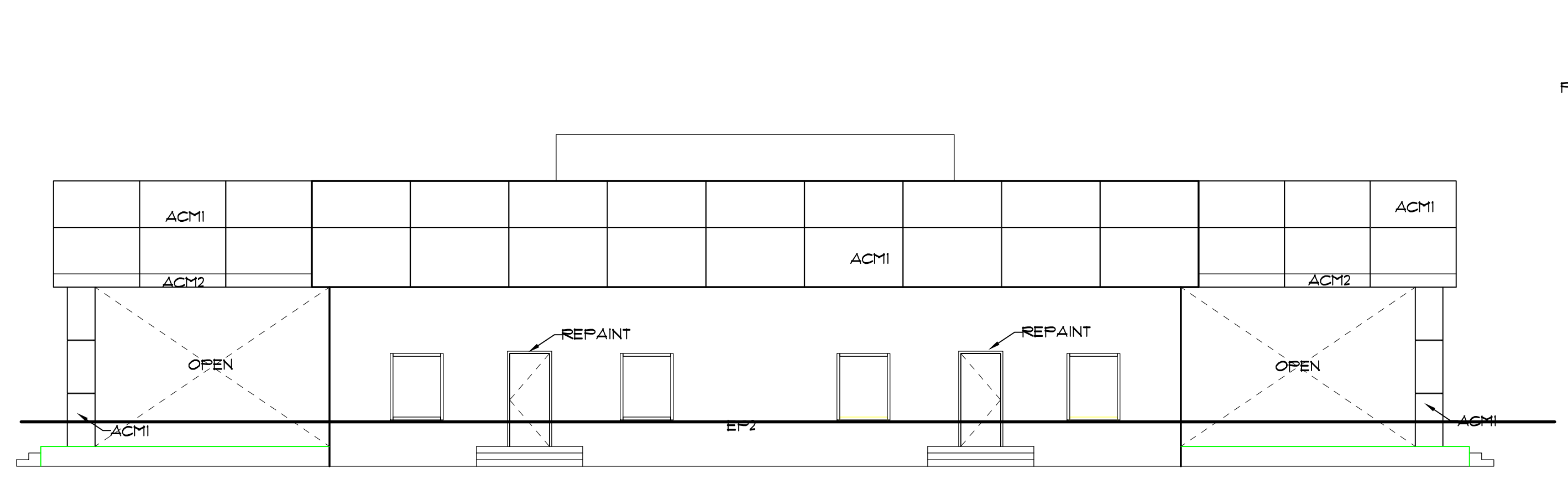
NOTE:
ALL ACM (BOTH THE FACADE AND ON THE ENTRY ELEMENT) MUST BE EITHER A RAIN RETURN OR A RAIN SCREEN SYSTEM WITH 1/2" TO 3/4" WIDE REVEALS. DRY JOINT SYSTEMS ARE REQUIRED. BATTEN, MOLDING OR FIELD CUT "SHEET AND STICK" SYSTEMS ARE NOT ACCEPTABLE. THE ACM JOINT COLOR MUST MATCH THE COLOR OF THE ADJACENT PANEL.



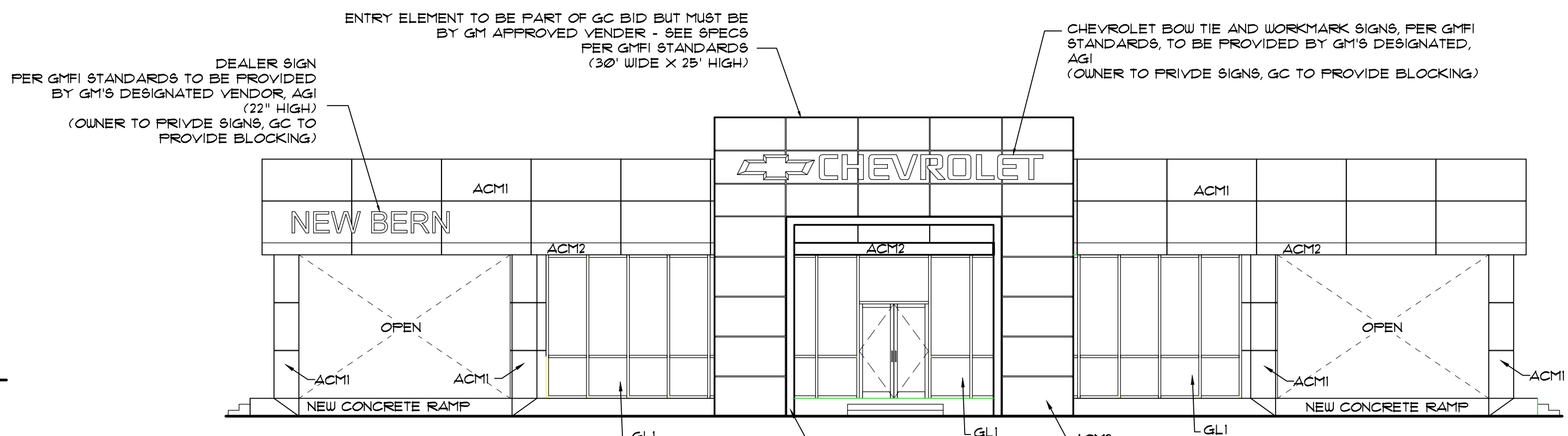
4 LEFT ELEVATION
A-B SCALE: 1/8" = 1'-0"



3 RIGHT ELEVATION
A-B SCALE: 1/8" = 1'-0"

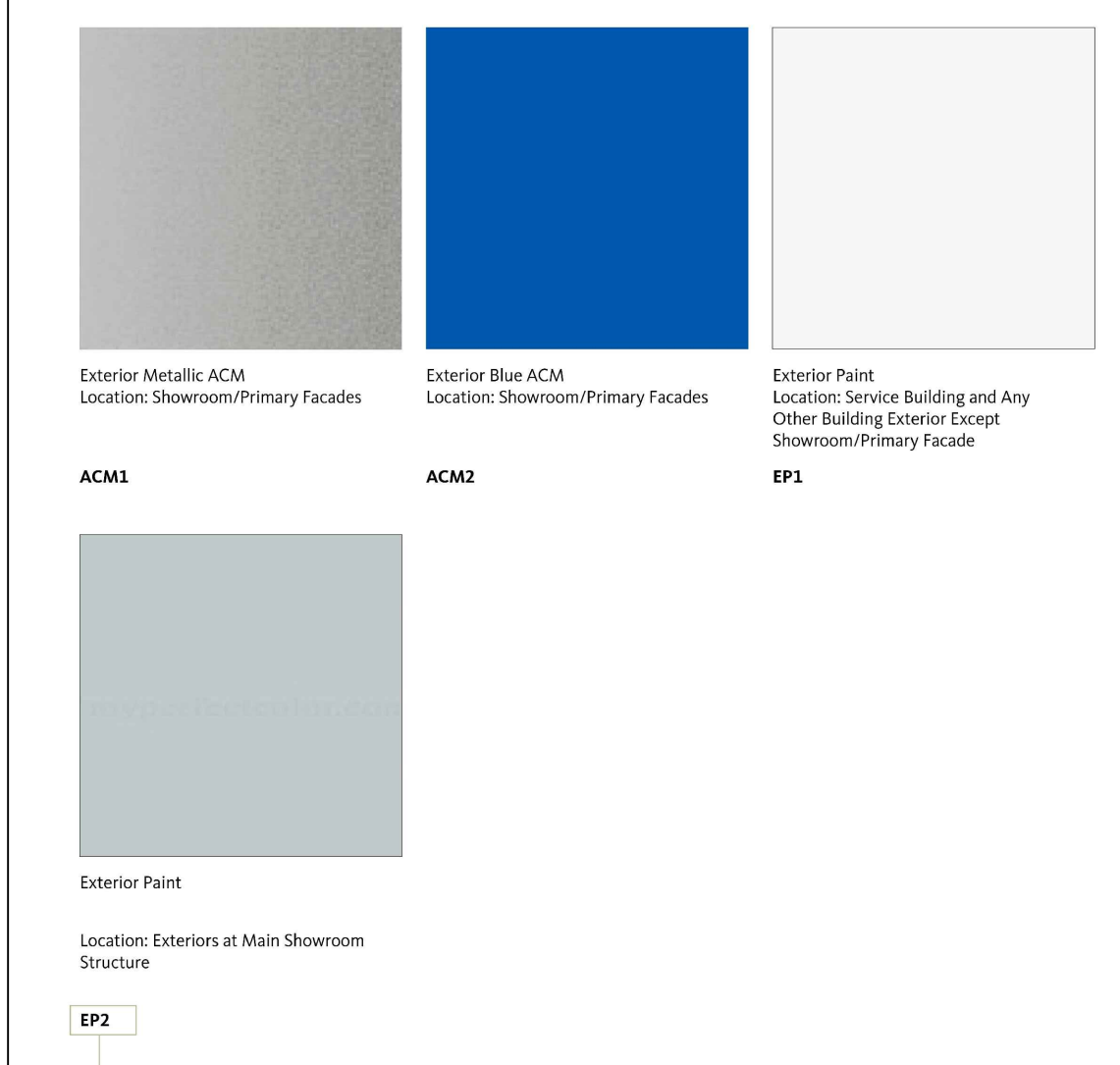


2 REAR ELEVATION
A-B SCALE: 1/8" = 1'-0"



1 FRONT ELEVATION
A-B SCALE: 1/8" = 1'-0"

Exterior Materials



Materials and Finishes

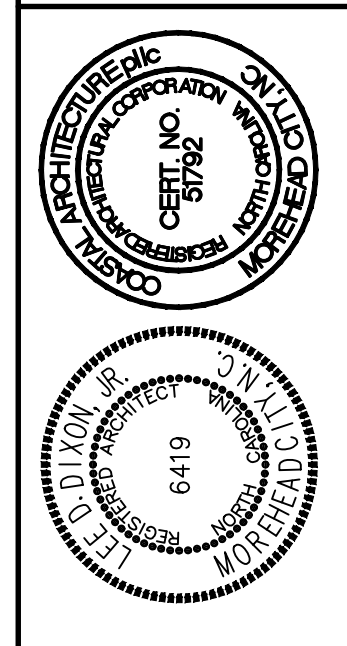
NO.	LOCATION	COLOR & MATERIAL SPECIFICATIONS	DESCRIPTIONS	MANUFACTURER/SUPPLIER
ACM1	EXTERIOR AT MAIN SHOWROOM STRUCTURE & SERVICE DRIVE FACADE	ALPOLIC TRX BRIGHT ALUMINUM METALLIC	ALUMINUM COMPOSITE MATERIAL	ALPOLIC OR EQUAL DAVE KEARNEY 757.382.5724 AET.SOURCES@ALUCORP.COM
ACM2	ENTRY ELEMENT	ALPOLIC CVB BLUE COLOR TO MATCH FMS 300 CHEVROLET BLUE	ALUMINUM COMPOSITE MATERIAL	ALPOLIC OR EQUAL DAVE KEARNEY 757.382.5724 AET.SOURCES@ALUCORP.COM
ACM3	ENTRY ELEMENT	ALPOLIC DM H/LZ ALUMINUM BRUSHED HARBINE ALUMINUM	ALUMINUM COMPOSITE MATERIAL	ALPOLIC OR EQUAL DAVE KEARNEY 757.382.5724 AET.SOURCES@ALUCORP.COM
EP1	SERVICE BUILDING STRUCTURE AND ANY OTHER BUILDING EXTERIOR EXCEPT MAIN SHOWROOM	BENJAMIN MOORE OC-61 WHITE DIAMOND	EXTERIOR GRADE PAINT	LOCAL BENJAMIN MOORE PAINT SUPPLY STORE WWW.BENJAMINMOORE.COM
EP2	EXTERIOR AT MAIN SHOWROOM STRUCTURE PAINT TO MATCH ACM-1	BENJAMIN MOORE 2323-40 SILVER HALF DOLLAR	EXTERIOR GRADE PAINT	LOCAL BENJAMIN MOORE PAINT SUPPLY STORE WWW.BENJAMINMOORE.COM
GL1	GLAZING GLASS DOORS	CLEAR GLASS WITH ANODIZED ALUMINUM APPEARANCE FRAMING	GLAZING	GENERAL CONTRACTOR

Coastal Architecture
Architectural Design

Lee D. Dixon, Jr., AIA
252-247-2127
leed@coastalarchitecture.net

4206 Bridges St. Ext., Suite C
Morehead City, NC 28557
www.coastalarchitecture.net

294318 CHEVROLET OF NEW BERN RENOVATIONS
NEW BERN, NORTH CAROLINA



ELEVATIONS BUILDING C SHOWROOM

16033

ISSUED: 8/10/17
DWG BY: CP/LSA
CKD BY: LDD

REVISIONS

SHEET NO. A-8 OF

BUILDING 'C'

THESE DRAWING AND SPECIFICATIONS REPRESENT AN INSTRUMENT OF SERVICE AND AS SUCH SHALL REMAIN IN OWNERSHIP WITH THE ARCHITECT. USE OR REPRODUCTION BY ANY MEANS, IN WHOLE OR IN PART, WITHOUT THE ARCHITECT'S WRITTEN CONSENT, IS PROHIBITED.

I:\DISHAREP\Coastal\Drawings\2016\16033 Chevrolet of New Bern\Current\A-B BUILDING C ELEVATIONS>Showroom.dwg 8/25/2017 10:56:31 AM DWG To PDF.plt